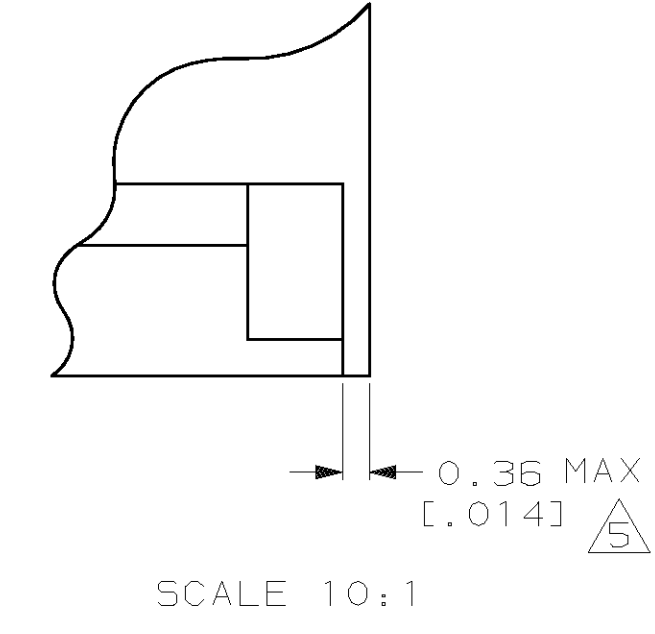
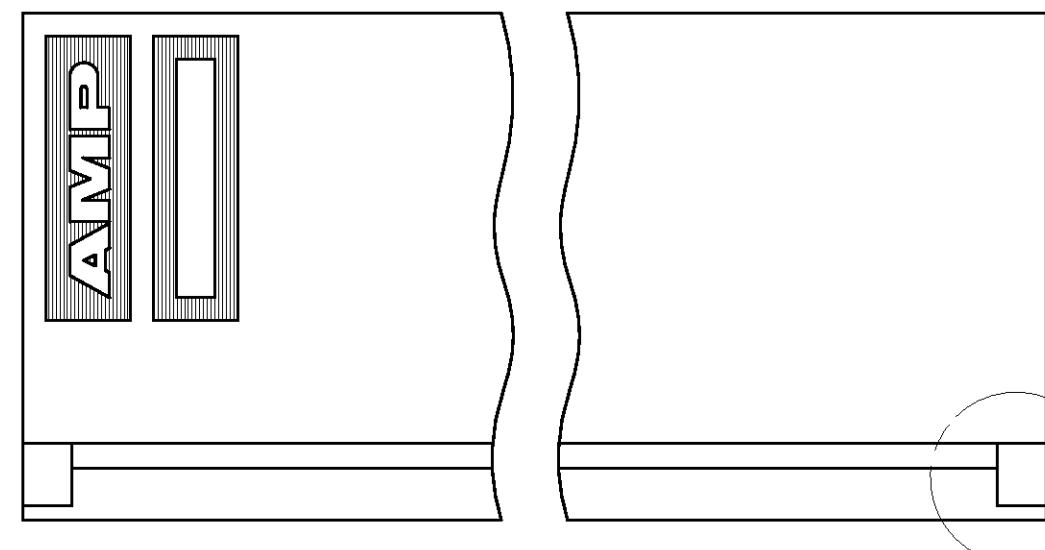
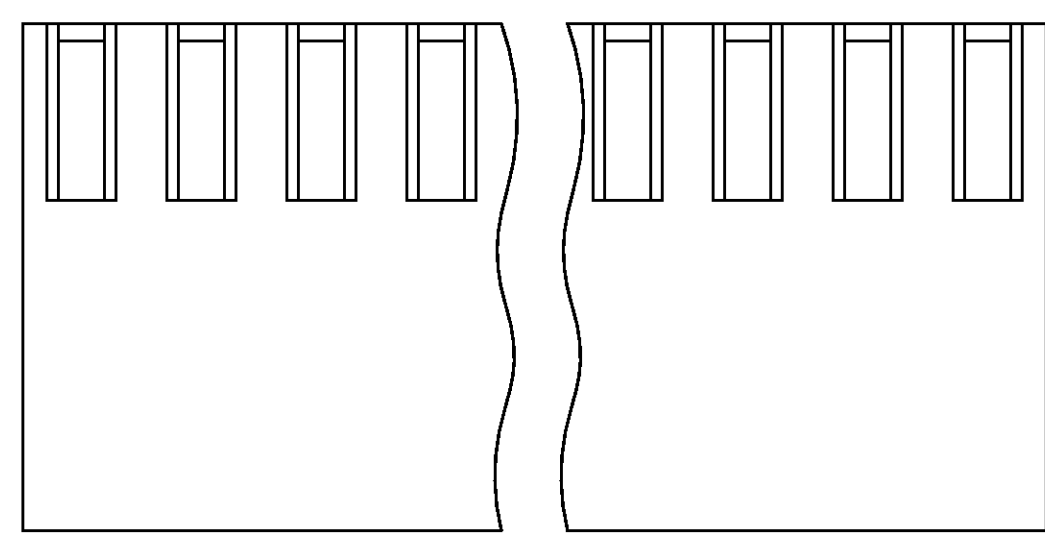
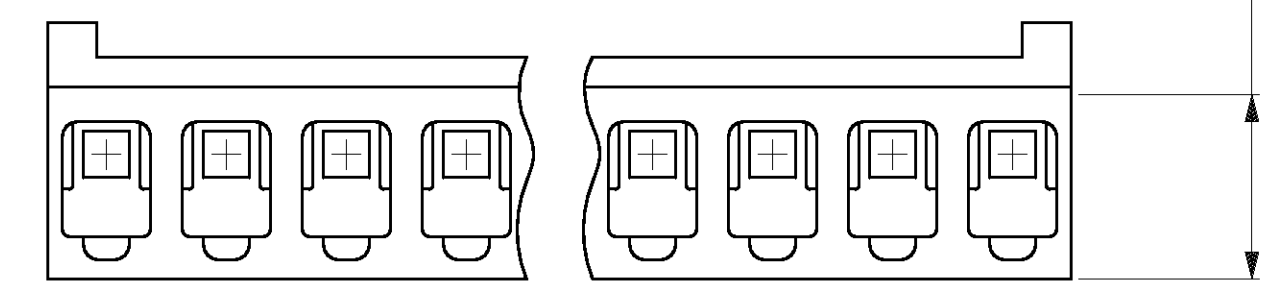
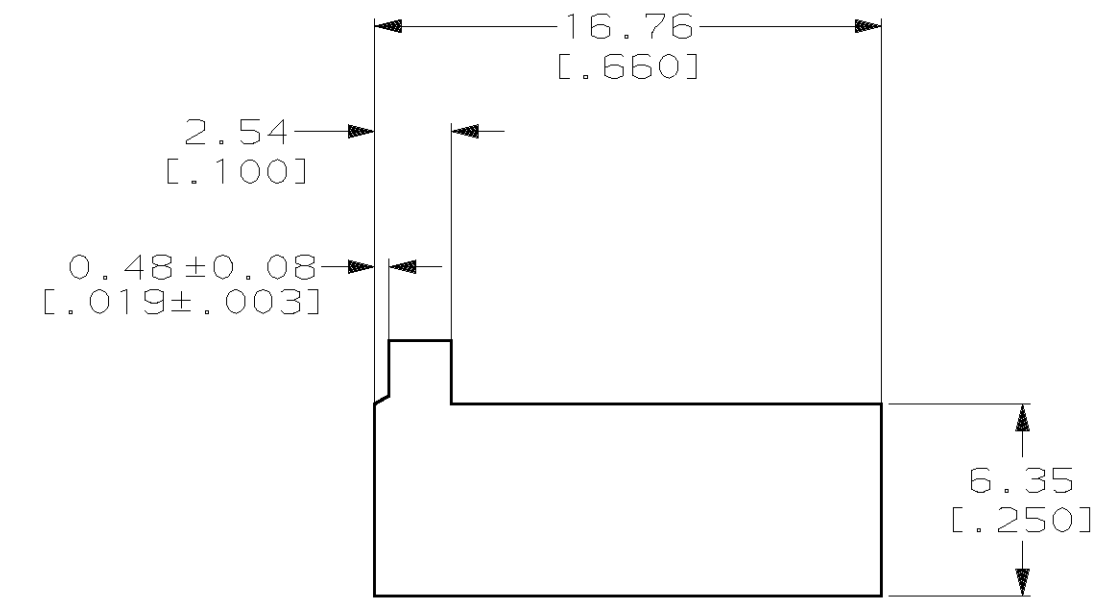
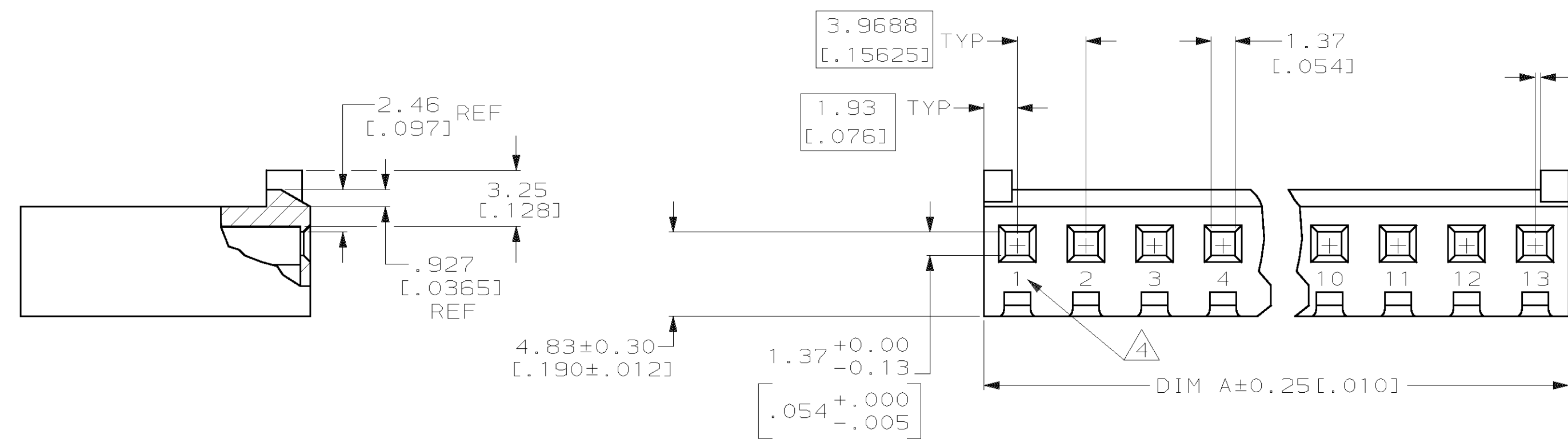


LOC				DIST				REVISIONS							
CM	P	F	ZONE	LTR	DESCRIPTION	DATE	APPD	CM	P	F	ZONE	LTR	DESCRIPTION	DATE	APPD
CM					RLSD -19, -20, -21, -23, -24	8-5-98	JH						PER EC 061B-0170-98		RS

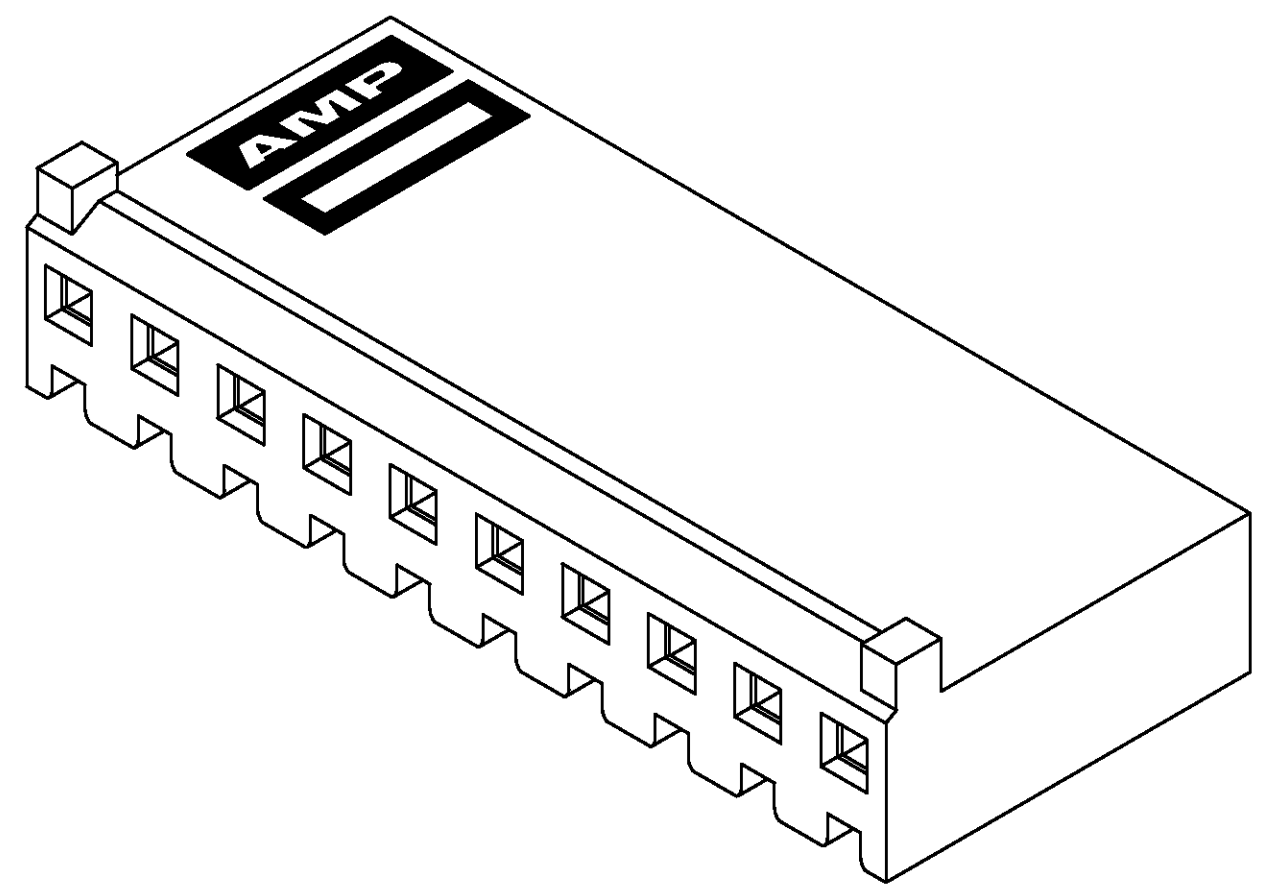


- UNIT ACCEPTS 1.14[.045] SQUARE OR ROUND POST.
- UNIT ACCEPTS STANDARD SL-156 CONTACTS.
- UNIT ACCEPTS KEYING PLUG 640254-1 AND KEYING PIN 640255-1.
- IDENTIFICATION NUMBER FOR ALL POSITIONS, OR FOR POSITION 1 ONLY, WILL BE LOCATED AS SHOWN.
- OPTIONAL CONSTRUCTION, BOTH ENDS.
- DIMENSIONS IN BRACKETS ARE IN INCHES.



95.15 [3.746]	24	2-770849-4
91.19 [3.590]	23	2-770849-3
87.20 [3.433]	22	2-770849-2
83.24 [3.277]	21	2-770849-1
79.27 [3.121]	20	2-770849-0
75.31 [2.965]	19	1-770849-9
71.30 [2.807]	18	1-770849-8
67.34 [2.651]	17	1-770849-7
63.40 [2.496]	16	1-770849-6
59.44 [2.340]	15	1-770849-5
55.45 [2.183]	14	1-770849-4
51.49 [2.027]	13	1-770849-3
47.52 [1.871]	12	1-770849-2
43.56 [1.715]	11	1-770849-1
39.57 [1.558]	10	1-770849-0
35.61 [1.402]	9	770849-9
31.65 [1.246]	8	770849-8
27.69 [1.090]	7	770849-7
23.70 [0.933]	6	770849-6
19.74 [0.777]	5	770849-5
15.77 [0.621]	4	770849-4
11.81 [0.465]	3	770849-3
7.82 [0.308]	2	770849-2
DIM A	NO OF POSN	PART NUMBER

1-770849-3 SHOWN



3-DIMENSIONAL MODEL
NTS

METRIC

DO NOT SCALE PRINT. UNLESS SPECIFIED DIMENSIONS IN mm [INCHES] TOLERANCES ON:		PART NO	
1 2 3 4	DR 5-22-91 K. SALMON	AMP AMP Incorporated Harrisburg, PA 17105-3608	
5 6 7 8	CHK 5-22-91 R. SWING		
9 10 11 12	APPD 5-22-91 D. WORTHINGTON	NAME	
13 14 15 16	APPD 5-22-91 D. WORTHINGTON	HOUSING WITH LOCKING RAMP AND POLARIZING TABS, SL-156	
17 18 19 20	PRODUCT SPEC	SIZE	CAGE CODE
21 22 23 24	NYLON, UL 94V-0 NATURAL	D	00779
25 26 27 28	FINISH	APPLICATION SPEC	DRAWING NO
29 30 31 32	-	-	770849
33 34 35 36	WEIGHT	SCALE	SHEET
37 38 39 40	-	4:1	1 OF 1